



SIMPLE SET DUAL OUTLET TAP TIMER INSTRUCTION MANUAL

FREQUENCY

Use this dial to set how OFTEN you want to water.

Note: The frequency starts from the moment you turn this dial. If you first turn the dial at 12pm in the morning to the 4 hour mark: The timer will come on again at 4pm, 8pm, 12pm etc.

This means that if you want an early morning start time, you need to get up early!

Please see back of page for recommended Run Time.



MANUAL MODE

Turn this dial to ON to run the timer manually, just like a tap. You will need to remember to turn it either OFF, or back to your original run time to continue running it automatically.



RUN TIME

Use this to set how LONG you want the water to flow through the timer.

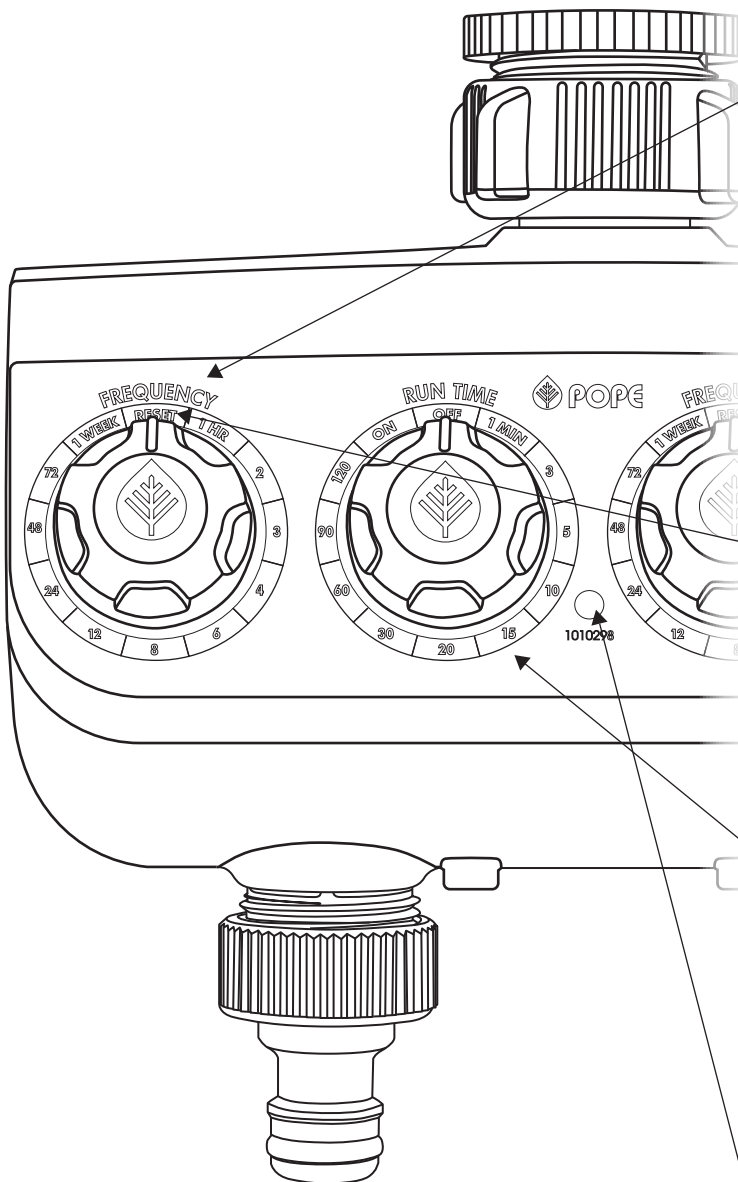
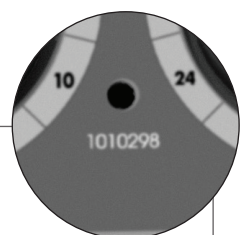
Please see back of page for recommended Run Time.



STATUS INDICATOR

This light can help indicate the status of your tap timer.

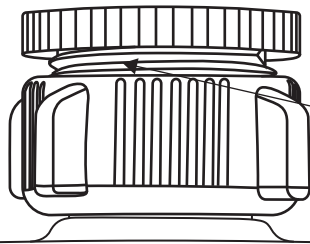
- No Flashing - Timer is working correctly
- Flashing Twice - indicated that new batteries have been installed.
- Flash once - Indicated a program change from moving the dials.
- Flashing once every 3 seconds - Battery lower than 2.65v
- Flashing up to 3 times per second - Improper program logic



TAP FITTING

The timer comes with a 25mm Inlet and a 20mm Reducing bush. Depending on the size of your tap, you may not need the reducing bush.

The Tap Connection also has a filter installed. This is to stop the debris from entering the valve mechanism. **DO NOT REMOVE THIS.**



BATTERY

The timer takes 2 x AA batteries. The timer has not been tested with Li-Ion or rechargeable batteries. Pope cannot guarantee operation with these batteries.



HOSE CONNECTION

This connection is used to connect to a standard 12mm Snap On fitting. The fitting can be removed and a Nut & tail piece can be added to run Poly Tube direct to an irrigation system. You can also connect Pressure Reducers or Filters direct to the timer once this piece is removed.

